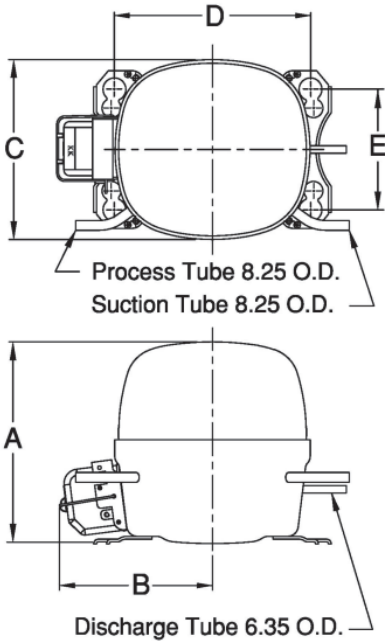




**PRINCIPAL DIMENSIONS - mm**



<b>A</b>	<b>178</b>
<b>B</b>	<b>137</b>
<b>C</b>	<b>155</b>
<b>D</b>	<b>165</b>
<b>E</b>	<b>102</b>

**ELECTRICAL : 220-240 Volt. 50 Hz. 1 Phase**

**Nominal Performance**

Cooling Capacity :	145	Watts ( 495 )	BTU/Hr
	125	Kcal/Hr	
Power Input :	128	Watts	
Lock Rotor Amps :	8	Amps	
Rated Load Amps :	1.0	Amps	
COP (EER) :	1.13	Watts/Watts ( 3.87 )	BTU/ W-Hr

**Testing Conditions**

Condensing Temperature :	54.4	°C
Evaporating Temperature :	-23.3	°C
Liquid Temperature :	32.2	°C
Return Gas Temperature :	32.2	°C
Ambient Temperature :	32.2	°C

**Application**

Evaporating Range :	<b>LBP</b> @ -34.4 °C to -12.2 °C
Refrigerant :	R134a
Expansion :	Capillary Tube
Compressor Cooling :	Natural Convection

**Compressor and Motor data**

Compressor Type :	Reciprocating
Displacement :	5.59 cc.
Oil Type :	Polyolester Oil
Oil Charge :	270 cc.
Motor Type :	<b>R.S.I.R.</b> ; 2 Pole 2880 rpm
Voltage Range :	187 - 264 Volts 50 Hz.
Winding Resistance at 25 °C	
Start :	39.90 Ohms
Run :	13.60 Ohms
Weight with Oil :	7.72 Kg.
Weight with Oil and Accessories :	7.84 Kg.

**Electrical Components**

**Motor Protector :**

Type :	External 5TM
Model Number :	KME 670-12
Open / Close :	100-110 / 70-52 °C
1st Cycle trip at 25 °C :	6.6 Amps

**Motor Starter :**

Type :	PTC Relay
Model Number :	KME 693-4
Pick Up (max.) :	- Amps.
Drop Out(min.) :	- Amps.
Terminal Cover :	KMD 902-2

**Start Capacitor :**

Disch. Resistor for Start Cap :	No	µ F	No	VAC.
---------------------------------	----	-----	----	------

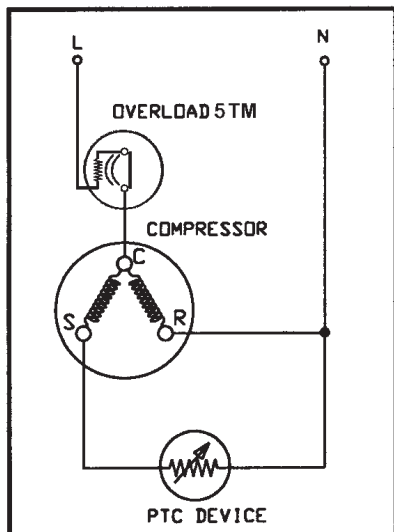
**Run Capacitor :**

	No	µ F	No	VAC.
--	----	-----	----	------

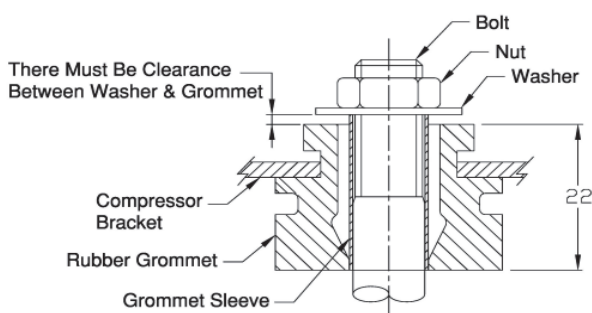
**Mounting Kit**

Rubber Grommet :	KMD 905-3	Earth Plug :	
Sleeve Grommet :	KMD 903-2	Earth Screw :	
Washer :	KEB 387	Washer Lock:	

**SCHEMATIC WIRING DIAGRAM R.S.I.R.**



**MOUNTING KIT**



Since we are constantly improving our product , the specification are subject to change without notice.

REV. DATE

24-06-11

C / N No.

0249/11