

SPECIFICATION

■ CUSTOMER

■ MODEL NAME

LX110LAJM

■ DATE



Compressor Division
Digital Appliance Company, LG Electronics Inc.

- ◆ CUSTOMER :
- ◆ MODEL : LX110LAJM
- ◆ RATED VOLTAGE & FREQUENCY : 220/50
- ◆ SPEC. NO. : 20050124-1
- ◆ PARTS LIST

TO : LG ELECTRONICS COMP.EXPORT DEPT.
 ATTN :
 FAX : 055-260-3503
 FROM : DATE : JAN. 24, 2005

PREPARED	CHECKED	APPROVED

PART LIST		LGE SUPPLY	PART NO	Q'TY	SPECIFICATION
COMPRESSOR	PERFORMANCE				
COMPRESSOR	WIRING DIAGRAM				
COMPRESSOR	EXPLODED VIEW				
ELECTRICAL PARTS	OLP		6750C-0004S	1	4TM314TFB
ELECTRICAL PARTS	STARTING DEVICE		6749C-0008B	1	P470MD
ELECTRICAL PARTS	COVER			1	Cover PTC - BOX - ABS - -
ELECTRICAL PARTS	FIX SCREW		1EBF0403118	1	
ELECTRICAL PARTS	TERMINAL BODY			1	4TAP - 250
ELECTRICAL PARTS	CAPACITOR RUNNING			1	원형 - 187 - 4 μ F - 400V - 66 - L410 -
MOUNTING PARTS	SEAT RUBBER		5166C-0004C	4	
MOUNTING PARTS	SLEEVE BOLT		4816C-0002A	4	
MOUNTING PARTS	PLAN WASHER		1WPZC-0001A	4	
MOUNTING PARTS	SPRING WASHER		1WSD0600030	4	
MOUNTING PARTS	BOLT		1BHD0603906	4	
MOUNTING PARTS	NUT		NHC3030D	4	

* CUSTOMER'S MEMO *

CUSTOMER'S DECISION

Decision : Yes , No

Signature :

* Please return one copy of this page on your approval.

20050124-LX110LAJM-한성냉열-1

Performance & Dimension

Application

Type Low Back Pressure
 Evaporating Temp. Range . -30°C to -5°C (-22°F to 23°F)
 Refrigerant R134a
 Refrigerant control Capillary tube
 Compressor cooling Static cooling

Normal Performance (Ashrae) 50Hz 60Hz

Capacity Watt $\pm 7\%$ 314
 Kcal/h $\pm 7\%$ 270
 BTU/h $\pm 7\%$ 1072
 Power consumption 236
 Cop W/W $\pm 7\%$ 1.33
 EER BTU/wh $\pm 7\%$ 4.54
 NOISE dBA 42

Testing conditions

Evaporating Temp -23.3°C (-10°F)
 Condensing Temp 54.4°C (130°F)
 Ambient Temp 32.2°C (90°F)
 Return Gas Temp 32.2°C (90°F)
 Liquid Temp 54.4°C (130°F)

Compressor Data

Design Reciprocating
 Displacement 11.03

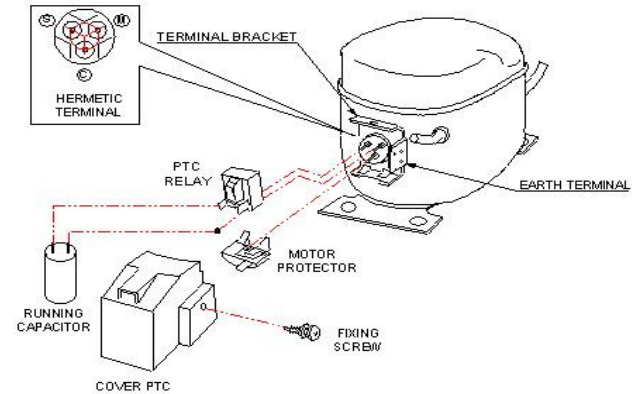
Suction Tube I.D ID8.12 T0.7 L38.5
 Process Tube I.D ID6.14 T0.9 L52.5
 Discharge Tube I.D ID6.45 T0.9 L100

Weight(with Oil charge) .

Motor Data

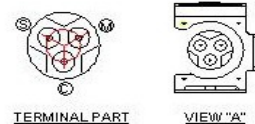
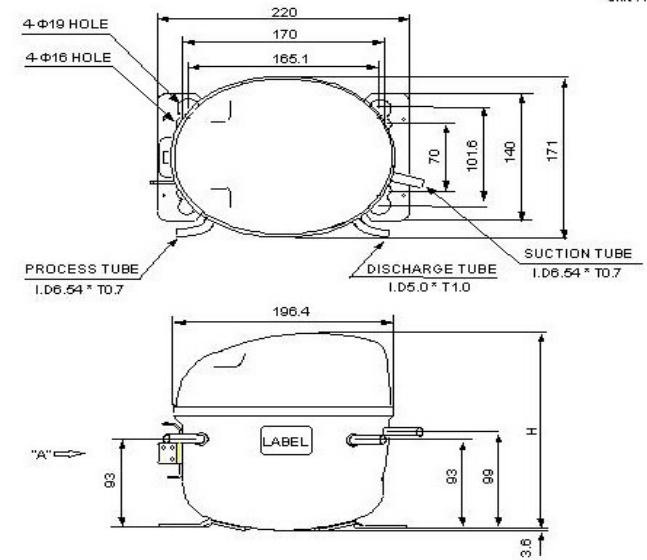
Motor type RSCR
 Motor protection External protection
 Winding Insulation Class E Class

EXPLODED VIEW



Title	EXPLODED VIEW
Dwg. No	EXP-PTJS14TM02R

HEIGHT	
MODEL	H
LX67/72/86	200
LX96/105/110/125	203



Title	LX
Dwg. No	LX-JUUS1XXXPS00P00D006.54-6.54-5.0

Electrical Components

Overload protector 4TM314TFB

Ultimate Trip current(at 60℃) · 2.6~3.6 A
 Opening temperature · ·140+10/-5 ℃
 Closing temperature · ·61+9/-9 ℃
 Manufacture · T.I.

Starting Device P470MD

Resistance at 25℃ (68°F) · . . . 47+20/-20%Ω
 Manufacture · O-RYUNG or KSM

**Running Capacitor Capacity · 4μF
 Voltage · 400V**

**Starting Capacitor Capacity · N.A.
 Voltage · N.A.**

Lubricant

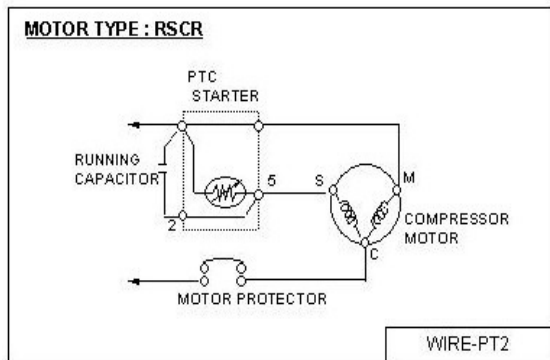
Lubricant type · Polyol Ester(POE)
 Lubricant Viscosity at 40℃
 Domestic · ISO α -15G/RL15H
 Export · ISO α -15G/RL15H
 Initial charge · 310±10cc
 Recharge · 85%

Tray Holder N.A.

Earth Plate N.A.

Approved Certification /CCC

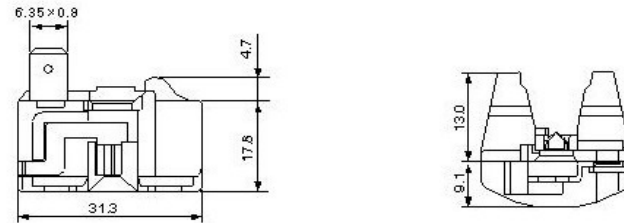
Wire Drawing



20050124-LX110LAJM-한성냉열-1

OVERLOAD PROTECTOR

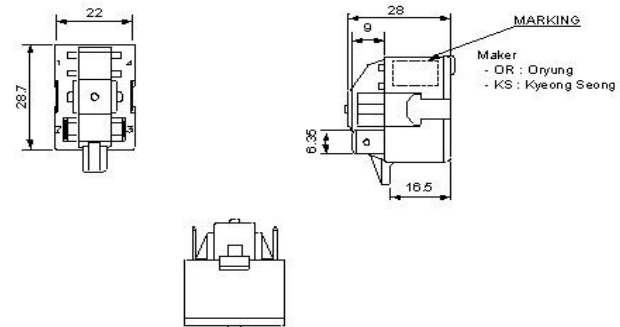
Unit: mm



Title	OVERLOAD PROTECTOR
Dwg. No	OLP-4TM250-520

STARTING DEVICE

Unit: mm



Title	PTC RELAY
Dwg. No	START-PT250-2

Cover & A'ccy

