

SPECIFICATION

■ CUSTOMER

■ MODEL NAME

NS30LAEG

■ DATE

OCT. 08, 2007



LG Electronics Inc.

- ◆ CUSTOMER :
- ◆ MODEL : NS30LAEG
- ◆ RATED VOLTAGE & FREQUENCY:
- ◆ SPEC. NO. : 20071008-1
- ◆ PARTS LIST

PREPARED	CHECKED	APPROVED

PART LIST		LGE SUPPLY	PART NO	Q'TY	SPECIFICATION
COMPRESSOR	PERFORMANCE				
COMPRESSOR	WIRING DIAGRAM				
COMPRESSOR	EXPLODED VIEW				
ELECTRICAL PARTS	OLP		6750C-0014A	1	4TM149NFB
ELECTRICAL PARTS	STARTING DEVICE		6748C-0003C	1	P330MC
ELECTRICAL PARTS	COVER		3550C-0054A	1	Cover PTC - LUPOX
ELECTRICAL PARTS	FIX SCREW		1EBF0403118	1	
MOUNTING PARTS	SEAT RUBBER		5166C-0004C	4	
MOUNTING PARTS	SLEEVE BOLT		4816C-0002A	4	
MOUNTING PARTS	PLAN WASHER		1WPZC-0001A	4	
MOUNTING PARTS	SPRING WASHER		1WSD0600030	4	
MOUNTING PARTS	BOLT		1BHD0603906	4	
MOUNTING PARTS	NUT		NHC3030D	4	

* CUSTOMER'S MEMO *

CUSTOMER'S DECISION
Decision : Yes , No
Signature :

* Please return one copy of this page on your approval.

20071008-NS30LAEG

Performance & Dimension

Application

Type	· · · · ·	
Evaporating Temp. Range	·	-30°C to -5°C (-22°F to 23°F)
Refrigerant	· · · · ·	R12a
Refrigerant control	· · · ·	Capillary tube
Compressor cooling	· · · ·	Static cooling

Normal Performance (Ashrae) 50Hz

Capacity	Watt ±7%	· · · · ·	63
	Kcal/h ±7%	· · · · ·	54
	BTU/h ±7%	· · · · ·	214
Power consumption	· · · · ·		81
Cop	W/W ±7%	· · · · ·	0.78
EER	BTU/wh ±7%	· · · · ·	2.65
NOISE	dBA	· · · · ·	38

Testing conditions

Evaporating Temp	· · · · ·	-23.3°C (-10°F)
Condensing Temp	· · · · ·	54.4°C (130°F)
Ambient Temp	· · · · ·	32.2°C (90°F)
Return Gas Temp	· · · · ·	32.2°C (90°F)
Liquid Temp	· · · · ·	32.2°C (130°F)

Compressor Data

Design	· · · · ·	Reciprocating
Displacement	· · · · ·	3.05

Suction Tube I.D	· · · · ·	ID6.54 T0.7
Process Tube I.D	· · · · ·	ID6.54 T0.7
Discharge Tube I.D	· · · · ·	ID5.0 T0.85

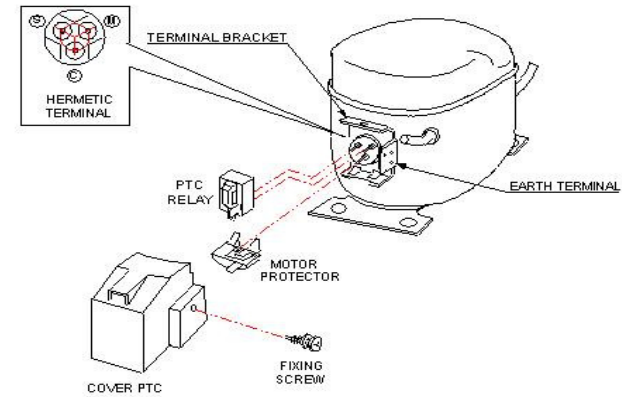
Weight(with Oil charge) · 6.4Kg

Motor Data

Motor type	· · · · ·	
Motor protection	· · · · ·	External protection
Winding Insulation Class	· · · ·	E Class

20071008-NS30LAEG

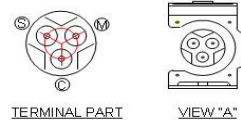
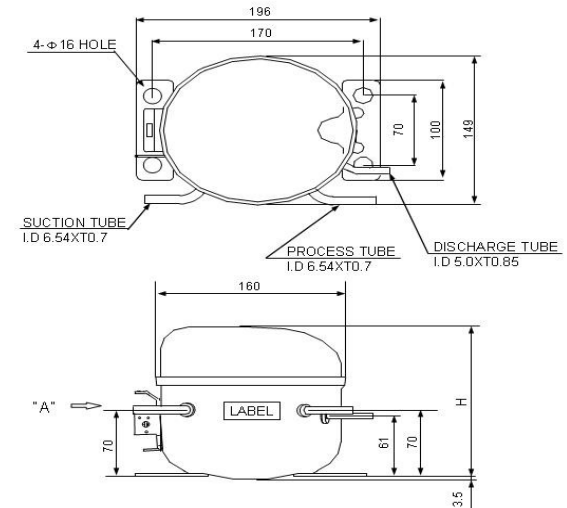
EXPLODED VIEW



Title	EXPLODED VIEW
Dwg. No	EXP-PTJS14TM01X

unit : mm

HEIGHT	
DIVISION	H
NS, NSA24 NS, NSA30	147
NS(A) /36/43	157



Title	NS/NSA/NSB
Dwg. No	NS-JUSH1XXSPS00P00D006.54-6.54-5.0

Electrical Components

Overload protector 4TM149NFB

Ultimate Trip current(at 60°C) · 0.95~1.2 A
 Opening temperature · ·120+10/-5 °C
 Closing temperature · ·61+9/-9 °C
 Manufacture · SENSATA

Starting Device P330MC

Resistance at 25°C(68°F) · · 33+20/-20%Ω
 Manufacture · ·O-RYUNG or KSM

Running Capacitor Capacity · N.A.

Voltage · N.A.

Starting Capacitor Capacity · N.A.

Voltage · N.A.

Lubricant

Lubricant type · Mineral Oil(MO)
 Lubricant Viscosity at 40°C

Domestic · α -22G/RL22H

Export · α -22G/RL22H

Initial charge · 180±10cc

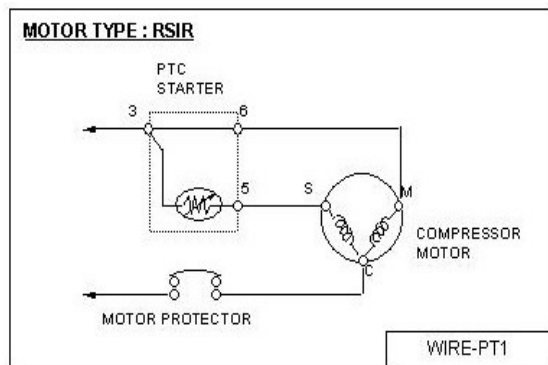
Recharge · 85%

Tray Holder N.A.

Earth Plate N.A.

Approved Certification N.A.

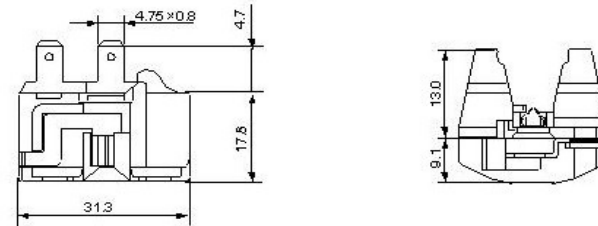
Wire Drawing



20071008-NS30LAEG

OVERLOAD PROTECTOR

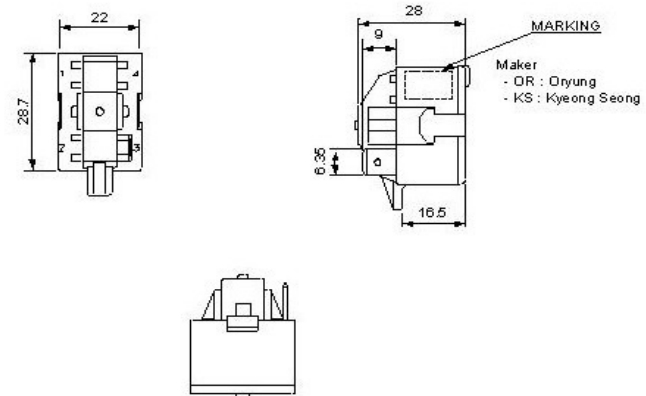
Unit : mm



Title	OVERLOAD PROTECTOR
Dwg. No	OLP-4TM187-75

STARTING DEVICE

Unit : mm



Title	PTC RELAY
Dwg. No	START-PT250-1

